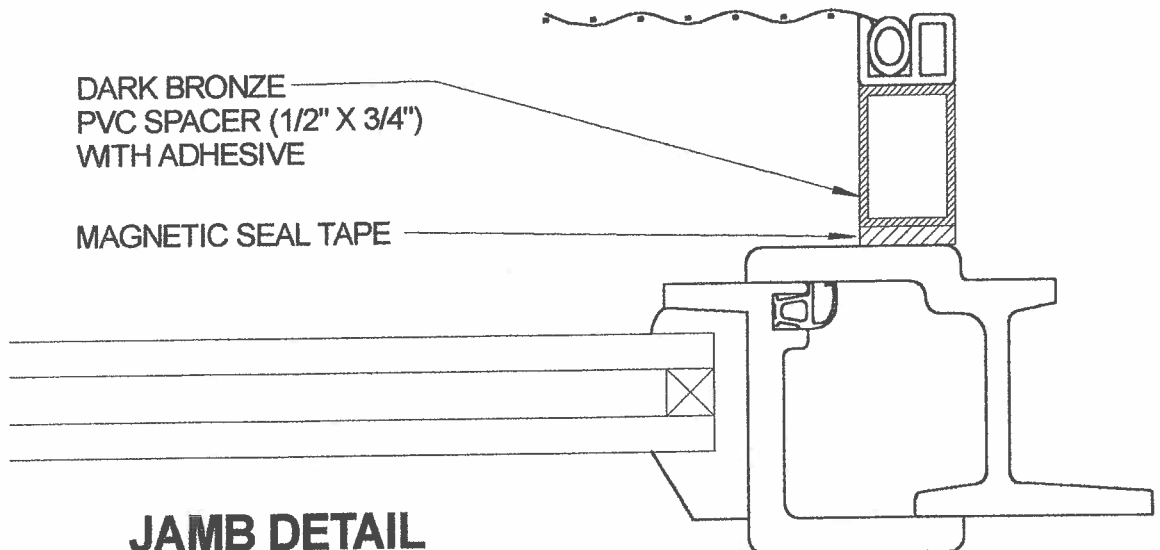


JAMB DETAIL at LATCH

SASH POSITION: Venting
 WICKET POSITION: Closed



JAMB DETAIL



PRODUCT
MAGNETIC WICKET SCREEN
 with 3/4" PVC BUILD-OUT

DWG. NO.
1-24

Allied Window
 Performance Panels™

11111 CANAL ROAD • CINCINNATI, OH 45241 • PH: 800-445-5411, 513-559-1212 • FAX: 513-559-1883 • www.alliedwindow.com • info@alliedwindow.com