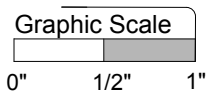
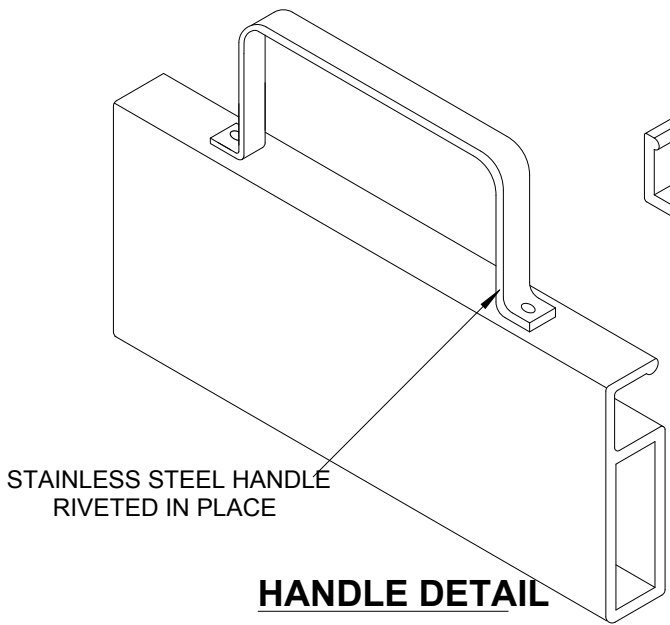
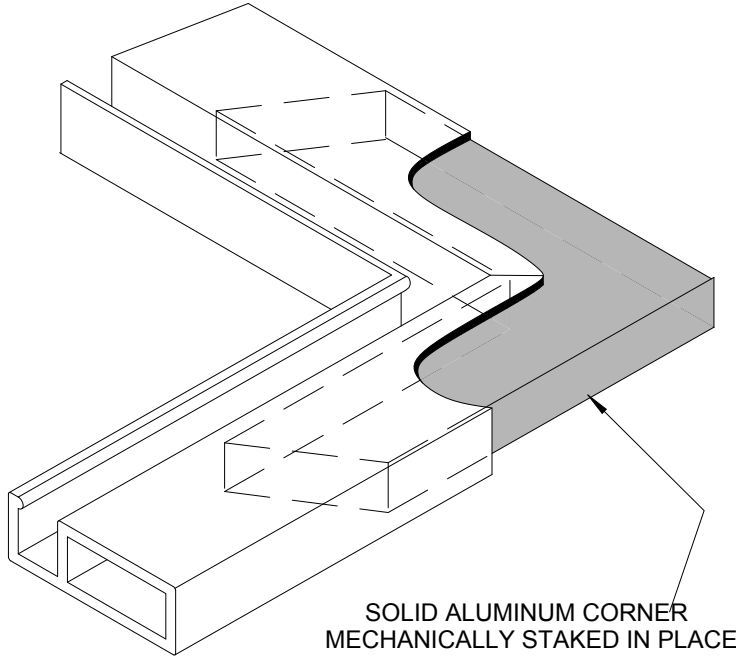
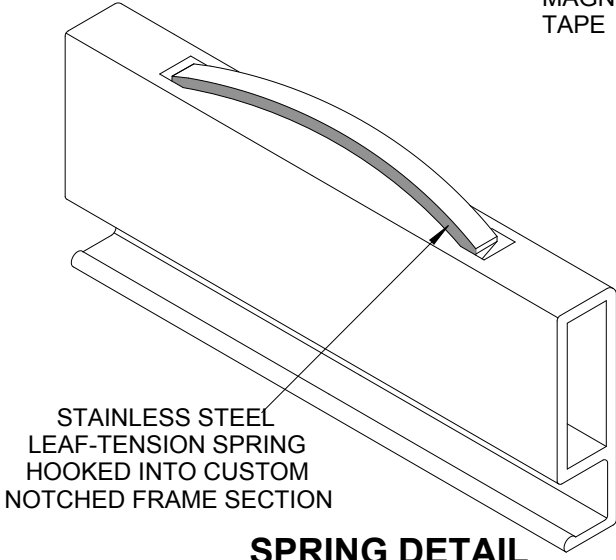


1 JAMB DETAIL
SCALE: FULL
HEAD and SILL SIMILAR



PRODUCT
**MAGNETIC SCREEN
S-102 FRAMING**

DWG. NO.
1-8

**Allied Window
Performance Panels™**