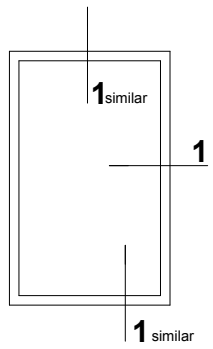


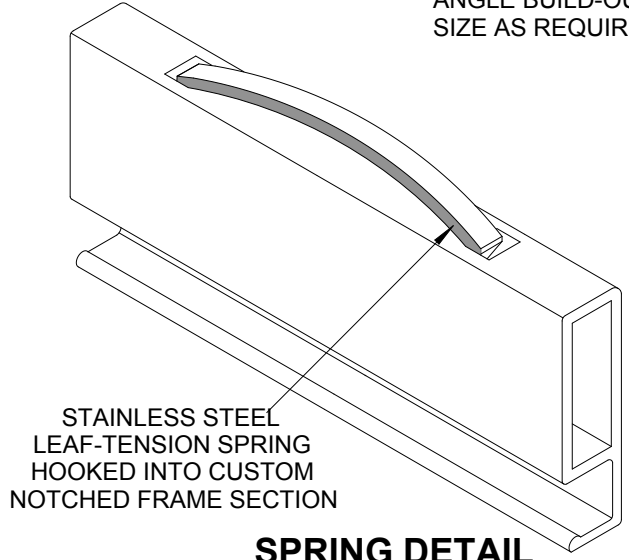
SCREEN FRAMING (S-102)
 VINYL SCREEN SPLINE
 ALUMINUM MESH SCREENING
 MANY CHOICES AVAILABLE INCLUDING
 FIBERGLASS, STAINLESS STEEL,
 COPPER AND BRONZE WIRE MESH

0.3750"

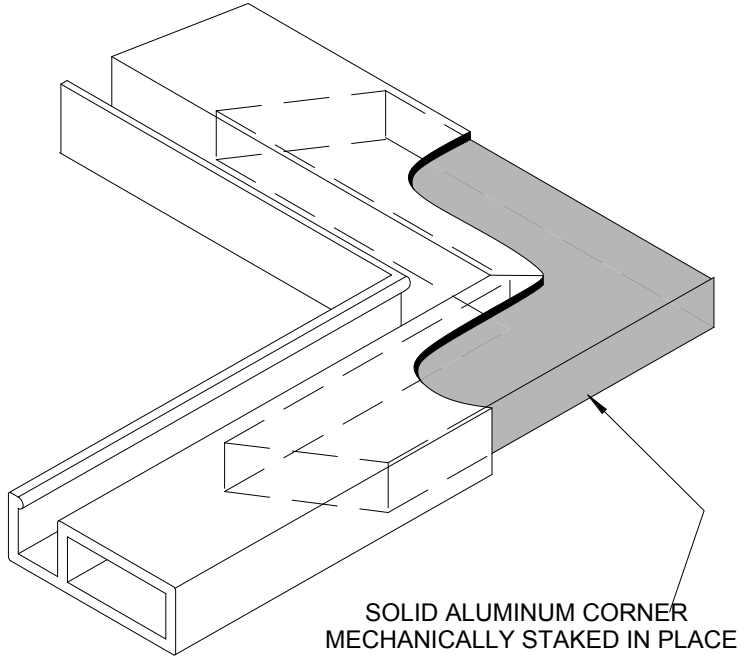


ANGLE BUILD-OUT
 SIZE AS REQUIRED

1 JAMB DETAIL
 SCALE: FULL
 HEAD and SILL SIMILAR

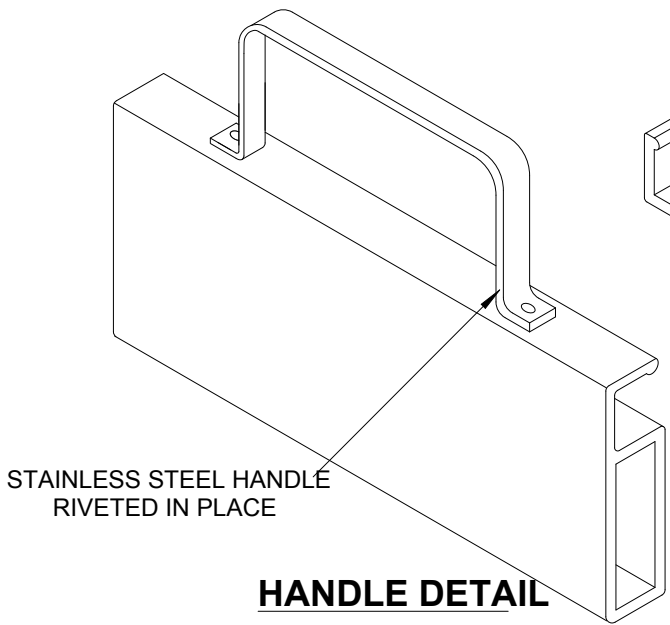


SPRING DETAIL



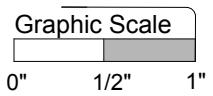
SOLID ALUMINUM CORNER
 MECHANICALLY STAKED IN PLACE

CORNER DETAIL



HANDLE DETAIL

STAINLESS STEEL HANDLE
 RIVETED IN PLACE



PRODUCT
 BUILD-OUT SCREEN
 S-102 FRAMING

DWG. NO.
1-7

Allied Window
 Performance Panels™