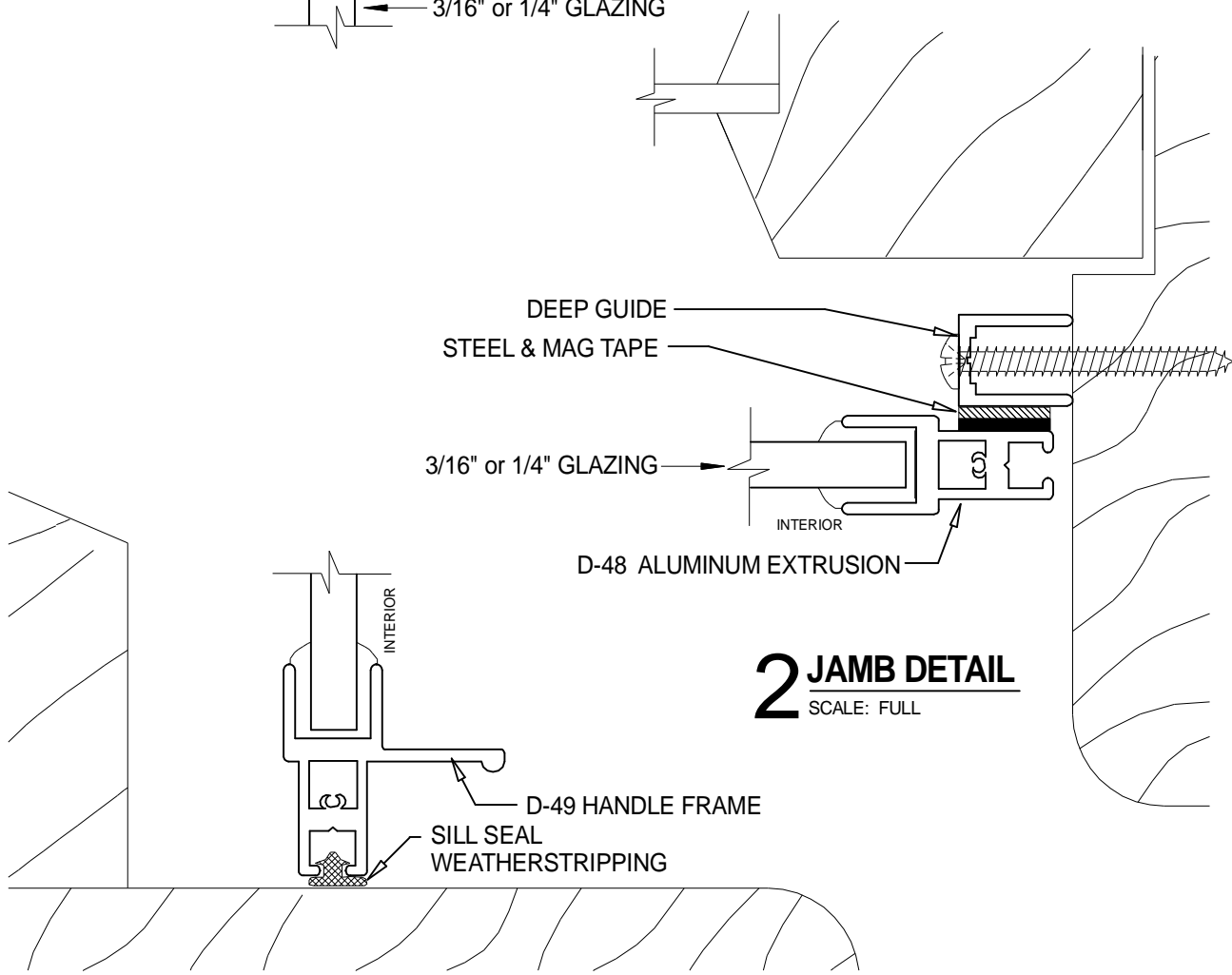
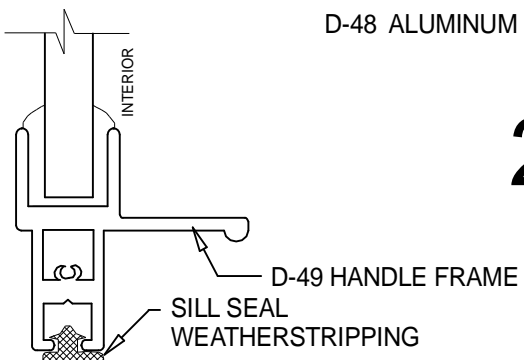


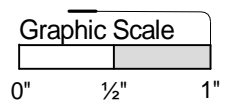
1 HEAD DETAIL
SCALE: FULL



2 JAMB DETAIL
SCALE: FULL



3 SILL DETAIL
SCALE: FULL



PRODUCT MONUMENTAL * MOL
D-48 D-49
MOUNT TO CHANNEL

DWG. NO.
M-6-M

Allied Window
Performance Panels™

11111 CANAL ROAD • CINCINNATI, OH 45241 • PH: 800-445-5411, 513-559-1212 • FAX: 513-559-1883 • www.alliedwindow.com • info@alliedwindow.com