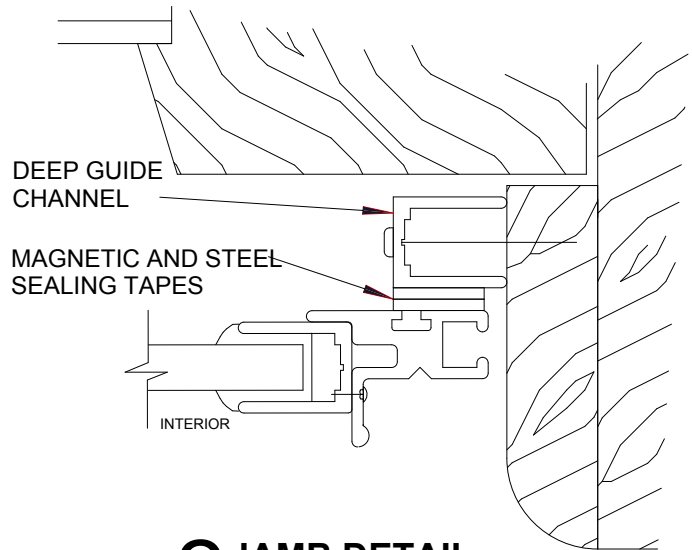
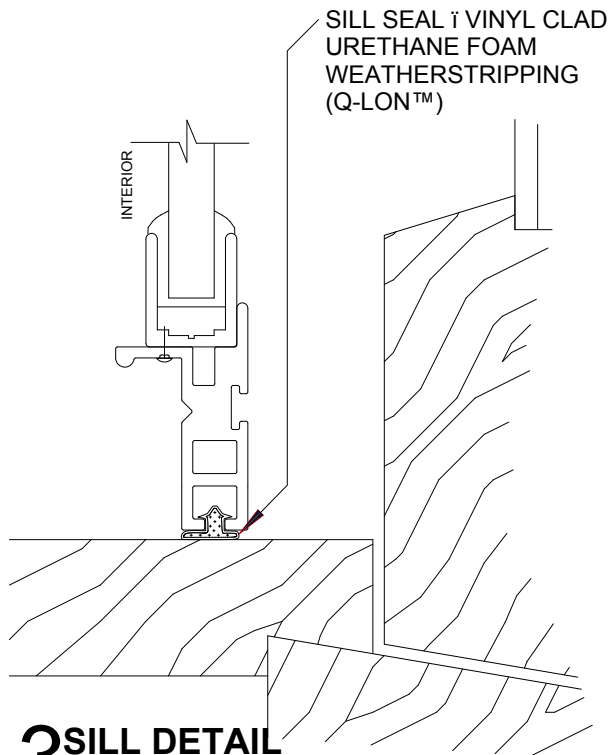
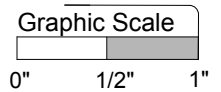


**1 HEAD DETAIL**  
SCALE: FULL



**2 JAMB DETAIL**  
SCALE: FULL

**3 SILL DETAIL**  
SCALE: FULL

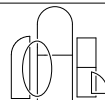


NOTE: MAGNETIC SCREEN AVAILABLE

PRODUCT  
PROTECTIVE MAGNETIC ONE LITE • PMOL  
MOUNT TO CHANNEL

DWG. NO.

**M-12**



**Allied Window**  
Performance Panels™